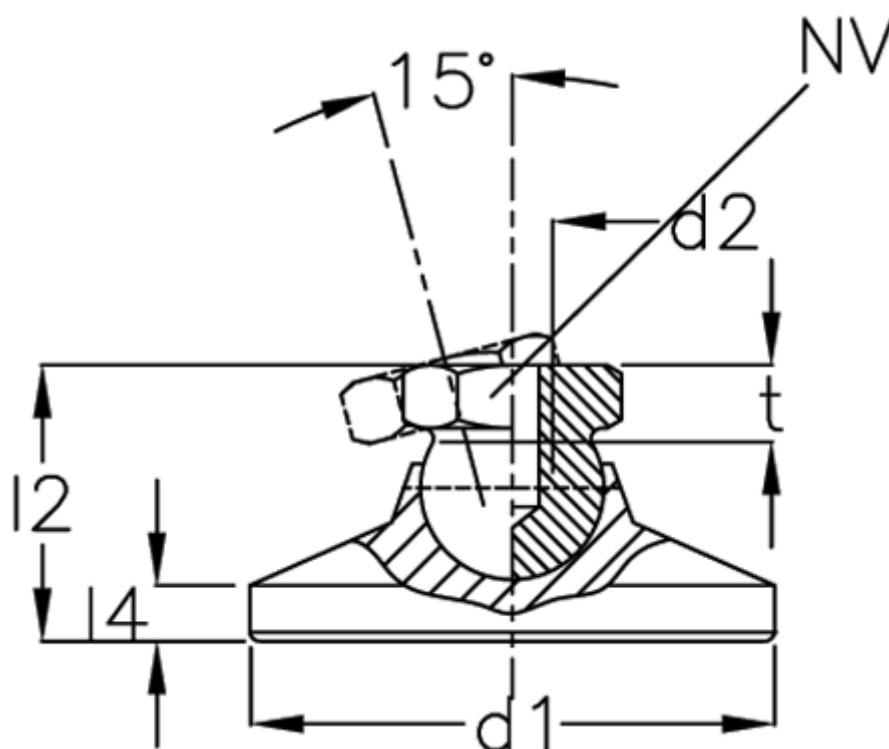


Article number: 20343140M12KRE

Description: E+G levelling foot
GN 343.1-40-M12-KRE

Measures



d_1	= 40
d_2	= 12
l_2	= -
l_4	= -
NV	= 17
Static load (kN)	= 30
t min	= 11.5